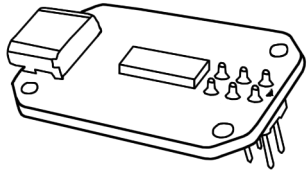


ESP Programmer Manual



1. Introduction

Thank you for your purchase of the ESP-programmer. This programmer is designed for ESP32-chips with a six-pin programming header.

2. Disclaimer

The seller of this ESP-programmer wants to clarify that they are not liable for any damage, malfunctions, or adverse consequences that may arise during the installation or use of this device. It is crucial to engage qualified professionals for installation and operation, adhering strictly to safety guidelines, manufacturer instructions, and local regulations.

Improper installation, maintenance, or misuse of the programmer can lead to equipment damage, property issues, or personal injuries. Users must take full responsibility for correctly installing and using the controller, including any associated risks.

Upon purchasing and using this programmer, users are acknowledging and accepting these terms, releasing the seller from liability for any problems stemming from its installation or usage.

To ensure safe and proper operation, we strongly recommend consulting with a qualified technician or professional for the installation and maintenance of this ESP-programmer.

3. Contents

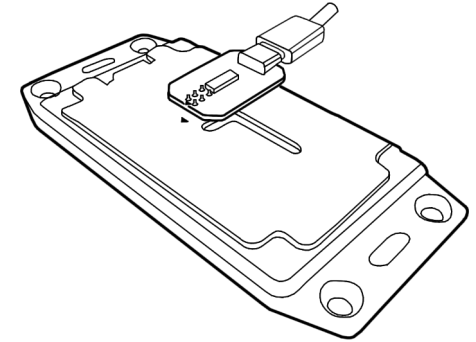
1x ESP-programmer
1x Instruction manual

4. Specifications

Board:
Dimensions: 32x19 mm
Input voltage : 5Vdc (USB-C)
Chip: CH340C
LED indicators: Power, RX & TX

5. Usage

Place the ESP-programmer on a compatible 2x3-pin header. Make sure the arrow on the programmer and the arrow on the product are facing the same way. If the programmer does not work, verify that the header is correctly oriented, and that all connections are secure.



6. Driver

The ESP-programmer uses the CH340C IC for its serial communication. The CH340C driver can be downloaded from Official Driver Website. Note that macOS and Linux systems often include native support for this chip.

Important: The third-party driver is not developed or maintained by us. We cannot guarantee its safety, reliability, or quality. Use it at your own discretion.



www.wch-ic.com
Driver download

7. Troubleshooting

Unable to upload code to the ESP32

1. Verify that the programmer is seated correctly on the 2x3-pin header, with the arrow on the programmer aligned with the arrow on the target device.

Random disconnections or errors during programming

1. Ensure the USB port is delivering adequate power (use a powered USB hub if necessary).
2. Avoid using long or low-quality USB cables that may introduce signal degradation.

