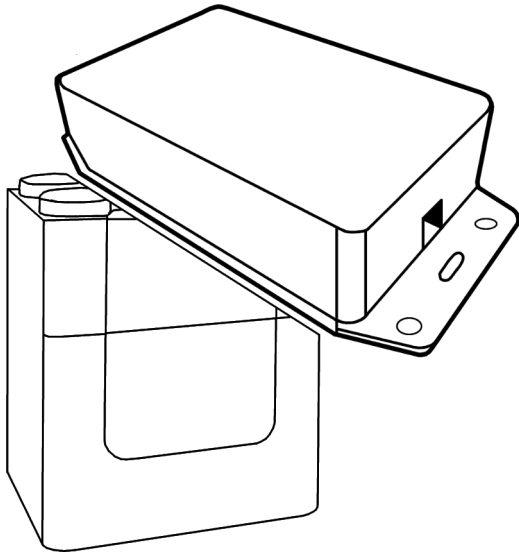


# ComfoAir Q Controller Manual



## 1. Introduction

Thank you for your purchase of the ESPHome-based comfoair q controller. This controller is designed for the ComfoAir Q-350 with a RJ45 CANBUS interface. This device ensures you can have complete control over your comfoair unit. With ESPHOME at its core, you can easily integrate your comfoair into Home Assistant, an open-source home automation platform.

## 2. Disclaimer

The seller of this comfoair controller wants to clarify that they are not liable for any damage, malfunctions, or adverse consequences that may arise during the installation or use of this device. It is crucial to engage qualified professionals for installation and operation, adhering strictly to safety guidelines, manufacturer instructions, and local regulations.

Improper installation, maintenance, or misuse of the controller can lead to equipment damage, property issues, or personal injuries. Users must take full responsibility for correctly installing and using the controller, including any associated risks.

Upon purchasing and using this controller, users are acknowledging and accepting these terms, releasing the seller from liability for any problems stemming from its installation or usage.

To ensure safe and proper operation, we strongly recommend consulting with a qualified technician or professional for the installation and maintenance of this comfoair controller.

## 3. Contents

1x Comfoair Q controller  
1x Instruction manual

Optional (if enclosure is selected during order):  
1x Enclosure  
2x Velcro tape

## 4. Specifications

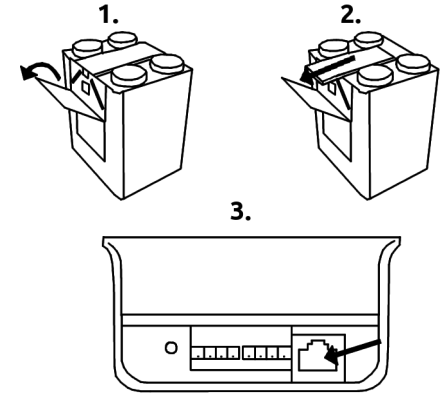
Board:  
Input voltage : 7 - 28Vac

Enclosure:  
Dimensions : 57 x 85 x 27 mm  
Material : ABS black

## 5. Installation

1. Open the semi-transparent flap.
2. Pull the cable guide cover forward.
3. Plug a network cable into the RJ45 port.
4. Connect the other end of the cable to the ComfoAir Q controller.

Note: The RJ45 connector of the controller cannot be used for networking, only connect it directly to the ComfoAir Q unit.



## 6. Network connection

The ComfoAir controller will power up after installation and, when unconfigured, will create a WiFi-network called "comfoair\_q-setup".

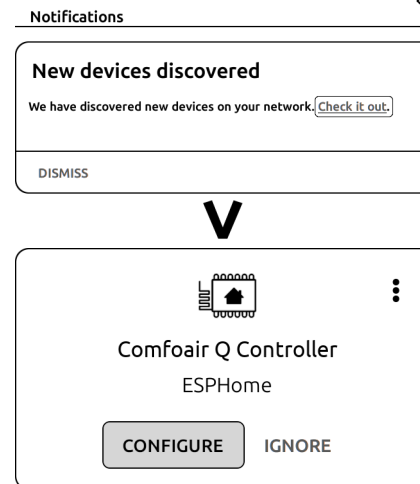
The password of this AP network is **comfoair\_qsetup**. To configure a network for the controller to connect to, in a web browser visit <http://192.168.4.1/>. From there the correct WiFi network can be set-up. A green light will blink while the controller is connecting to WiFi and will turn off when a connection is made.



## 7. Home Assistant

After a successful WiFi connection, Home Assistant will show a notification about a newly discovered device. All entities will become available after clicking *configure*.

An orange light will flash until the controller is connected to HomeAssistant and will turn off afterwards.



## 8. Flashing

In addition to the regular OTA upgrade method, the controller also supports firmware flashing through the onboard pins using a USB to serial adapter, this can be used as an alternative update option without a WiFi-connection.

Connections:  
3v3 : 3v3  
GND : GND  
RST : RTS  
RX : TX  
TX : RX  
FLASH : DTR

